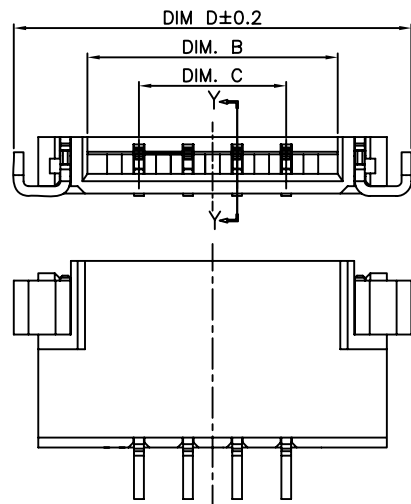
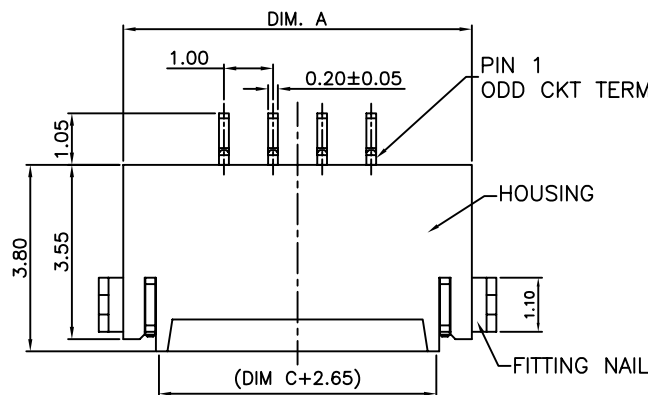


NOTES:

- MATERIAL:
 - HOUSING: THERMOPLASTIC, HIGH TEMP.,UL94V-0;
 - CONTACT: COPPER ALLOY
 - FITTING NAIL: COPPER ALLOY
- FINISH:
 - CONTACT:
 - 50u" MIN. NICKEL UNDERPLATING OVERALL.
 - GOLD FLASH OVER ALL
 - N: 120u" MIN MATT TIN OVER ALL.
 - FITTING NAIL:
 - 50u" MIN. NICKEL UNDERPLATING OVERALL.
 - GOLD FLASH OVER ALL
 - N: 120u" MIN MATT TIN OVER ALL.
- REFLOW SOLDER CAPABLE TO 260°C PER ACES SPEC.
- SPEC. PLS. REFER TO PS-50620-XXXXX-XXX
- PACKAGE PLS. REFER TO 91517-XXXXX-TRP.

CKT	DIM. A	DIM. B	DIM. C	DIM. D
4	7.1	5.1	3.0	8.0
5	8.1	6.1	4.0	9.0
6	9.1	7.1	5.0	10.0
7	10.1	8.1	6.0	11.0
8	11.1	9.1	7.0	12.0
9	12.1	10.1	8.0	13.0
10	13.1	11.1	9.0	14.0
11	14.1	12.1	10.0	15.0
12	15.1	13.1	11.0	16.0
13	16.1	14.1	12.0	17.0
14	17.1	15.1	13.0	18.0
15	18.1	16.1	14.0	19.0
16	19.1	17.1	15.0	20.0
17	20.1	18.1	16.0	21.0
18	21.1	19.1	17.0	22.0
19	22.1	20.1	18.0	23.0
20	23.1	21.1	19.0	24.0
21	24.1	22.1	20.0	25.0
22	25.1	23.1	21.0	26.0
23	26.1	24.1	22.0	27.0
24	27.1	25.1	23.0	28.0
25	28.1	26.1	24.0	29.0
26	29.1	27.1	25.0	30.0
27	30.1	28.1	26.0	31.0
28	31.1	29.1	27.0	32.0
29	32.1	30.1	28.0	33.0
30	33.1	31.1	29.0	34.0
31	34.1	32.1	30.0	35.0
32	35.1	33.1	31.0	36.0

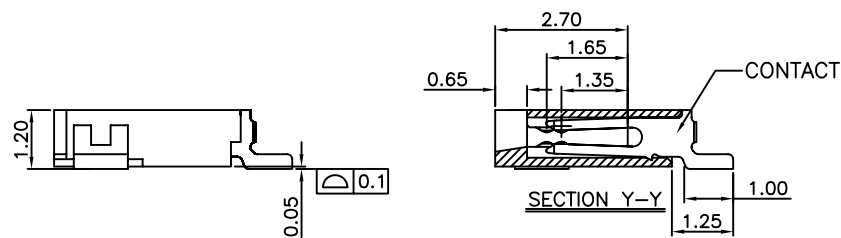


REV	DESCRIPTION	DATE	SIGNATURE
0	FOR DWR-ADW0905050 (ECN-0906034)	'09/06/04	huamin

50676-XXX X X-XXX

NO OF CKT: XXX
PACKING: 0:TAPE & REEL 1:TUBE
PLATING: N:MATT TIN(LEAD FREE) 1:GOLD FLASH OVER ALL(LEAD FREE)

XXX	Housing Color
001	Natural



<p>一般公差 TOLERANCES X ±0.5 XX ±0.15 X ±0.25 XXX ±0.1 ANGLES ±2°</p>		<p>宏致電子股份有限公司 Aces Electronic Co.,Ltd.</p>	
<p>檢驗尺寸標示 SYMBOLS ⊕ ⊗ INDICATE CLASSIFICATION DIMENSION ⊕ MARK IS CRITICAL DIM. ⊗ MARK IS MAJOR DIM.</p>	<p>品名(TITLE) 1.0mm Pitch NON-ZIF FPC Conn. SMT R/A D/C Type 圖號(DWG.NO) 50676-XXXXX-XXX</p>	<p>製圖(DR) '09/06/04 huamin 審核(CHKD) WGCH 核准(APPD) JASON</p>	<p>表面處理(FINISH) 比例(SCALE) 單位(UNITS) mm</p>
<p>表面處理(FINISH)</p>		<p>比例(SCALE) 單位(UNITS) mm</p>	<p>張數(SHEET) 1 OF 1 SIZE A4 REV 0</p>